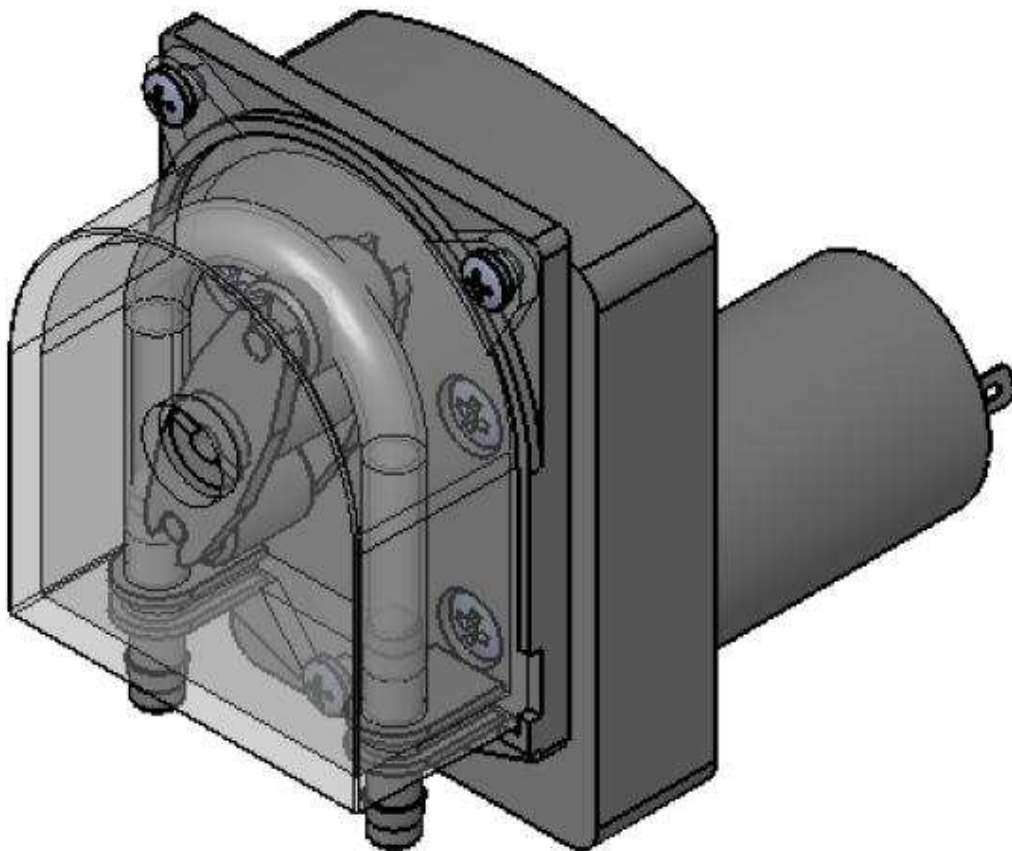


Operating Instructions

Peristaltic Pump TP 3005





Index of contents

Index of figures.....	II
Introduction.....	2
Security advices & danger warnings.....	3
Scope of delivery.....	4
Technical description.....	5
Installation.....	6
Changing of tube.....	8



Index of figures

Figure 1: TP 3005 with AC motor.....	1
Figure 2: TP 3005 with AC motor.....	6
Figure 3: TP 3005 with DC motor.....	7
Figure 5: Dimensions of the TP 3005 with AC motor	9
Figure 6: Dimensions of the TP 3005 with DC motor	10

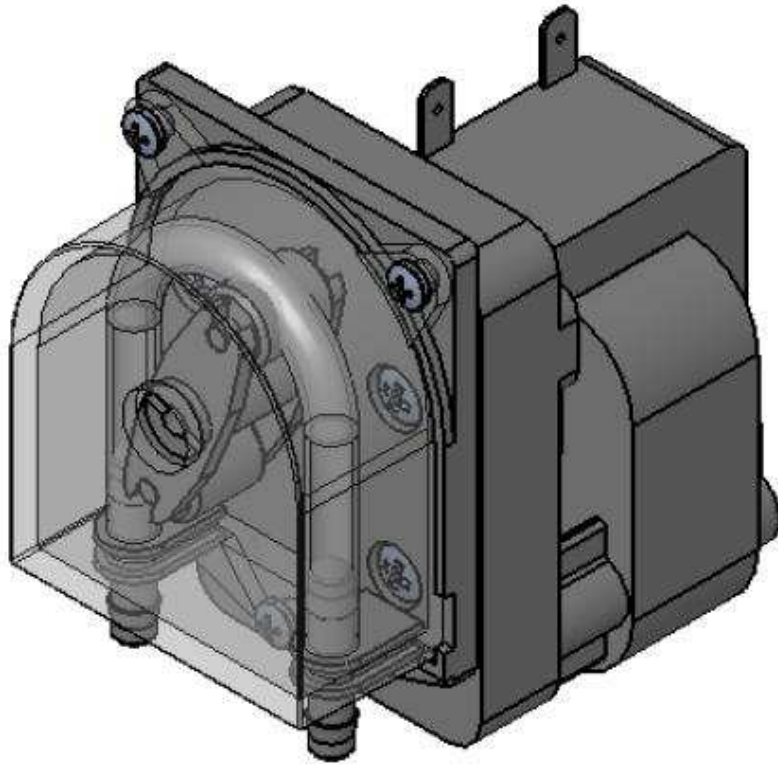


Figure 1: TP 3005 with AC motor



Introduction

Dear customer,

We would like to congratulate you for the acquisition of this product and to thank you for the trust in our company.

The TP 3005 is a quality product on the state of the art.

The demand of Thölen Pumpen GmbH is highest quality at top price. It is our target to improve our products continually. If you have any ideas or requests for the improvement of one of our products, we are looking forward to your constructive suggestions.



Security advices & danger warnings

Please note:

In case of damage which will be caused by the nonobservance of the operating instructions the warranty voids! We assume no liability for consequential damage and for damage to person & property caused by inappropriate operation or nonobservance of the security devices!

Attention! – Shaded pole motor

The AC Motors of the TP 3005 are shaded pole motors and they are not suitable for continuous running! The pumps with shaded pole motor are only permitted to run for maximum 15 minutes. The interval to the next operation should be at minimum 30 minutes.

- Because of security and approval reasons unapproved rebuilding or modifications of the unit are inadmissible.
- It is only allowed to use the unit in a dry environment.
- To avoid damages of the unit only tubes permitted by Thölen Pumpen GmbH are to be used.
- The installation of the unit is to be carried out only by authorized technical staff.
- Repairs are also to be carried out only by authorized technical staff.
- The operation in explosive environment is not allowed.
- The pump should never transport against a closed discharge line (danger of tube breakage).



Scope of delivery

The delivery contains the TP 3005 including an assembled tube (that is a piece of tube cut in the correct length with two tube connectors), if necessary with a tube lubricant.

Control of transport damages

Please control the equipment regarding intactness before assembling the pump. In case of finding transport damage contrary to expectations, please contact us immediately.



Technical description

Warranty regulation

The TP 3005 has been manufactured according to high quality guidelines. Because of the warranty regulation of the Thölen Pumpen GmbH we give a warranty of 1 year for this unit. The condition therefore is the running of the equipment according to these operation instructions.

Wear parts (i.e. tube) are excluded from the warranty.

Technical data

Flow rate:	depending on tube up to 812 ml/min
Dimensions without drive:	66 x 85,6 x 34,2 mm
Dimensions with motor:	66 x 100,9 x 108,6 mm (varied depending on drive)
Weight:	DC Motor: 0,6 kg
	AC Motor: approx. 1,5 kg
	Pump head only: 0,095 kg
Nominal voltage:	12 V DC, 24V DC, 24V AC, 110 V AC, 230V AC
Current consumption nominal:	200 to 900 mA (DC motor)

Attention! – Shaded pole motor

The AC Motors of the TP 3005 are shaded pole motors and they are not suitable for continuous running! The pumps with shaded pole motor are only permitted to run for maximum 15 minutes. The interval to the next operation should be at minimum 30 minutes.

Installation

The pump will be delivered alternatively with a DC motor or with an AC motor. Both versions are illustrated below.

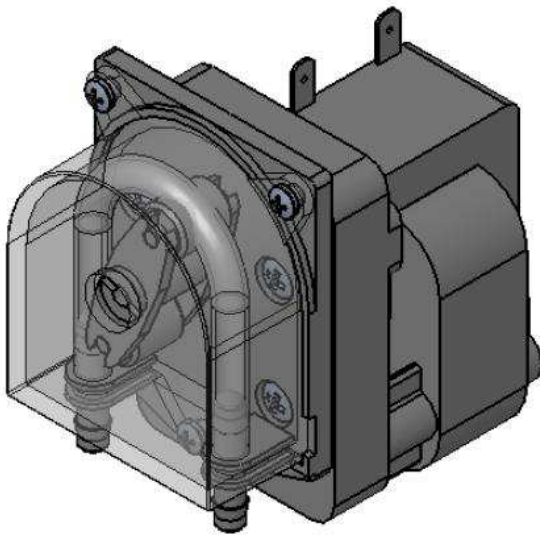


Figure 2: TP 3005 with AC motor

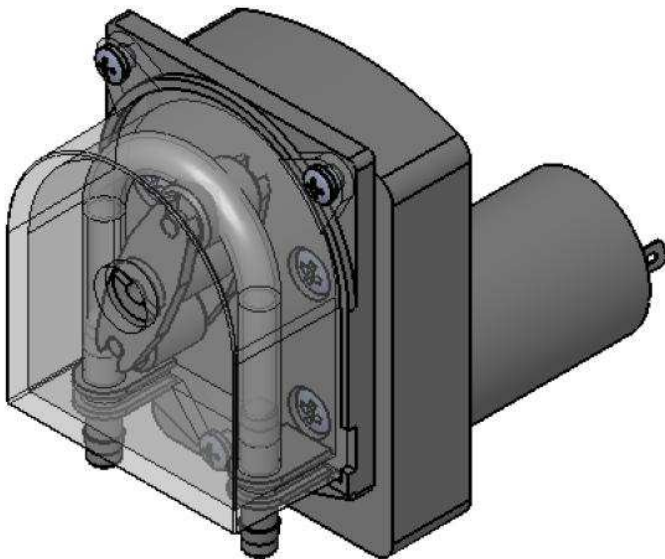


Figure 3: TP 3005 with DC motor

The pump can be mounted into a casing. Here the motor will be installed from inside and the pump head from outside onto the housing. But in this case the wall size of the housing should not exceed 1,5 mm because with the wall of the housing the relative strength between motor and pump will be modified which is of disadvantage for the running of the pump and could lead in extreme case to the breakdown of the pump.



Changing of tube

First of all switch off the mains supply to change the tube. The cover of the TP 3005 is fixed to the mounting plate with three M4x8 screws. You have to remove them to change the tube.

Now remove the broken tube completely.

After removing the broken tube, clean the head carefully. If necessary, water can be used for cleaning. Do not use alcohol or similar substances for cleaning because residua of these substances can pollute the new tube.

After cleaning the pump head, the new tube can be inserted. Tubes for this pump will be delivered already assembled. You just have to attach the new tube to the housing cover with the aid of the tube connectors.

It is important for the insertion of the tube to note that the tube will be inserted without breaks between head and roller on the entirety of the head, thus adjacent on the inner wall, and completely crushed by the tread of the roller. The tube should overlap neither forwards nor backwards the tread of the roller because leakage loss could occur and the danger of tube breakage during the operation is increased.

Note:

If it is important for you that the medium does not flow on the suction side or on the discharge side out of the feed pipe, please take i.e. a suitable non-return valve on the particular side into consideration. (The draining of the pipes causes normally no problems to the pump because peristaltic pumps are dry self priming pumps. Only problems on the suction side can occur when priming if the vertical height is too high between the pump and the tank.)

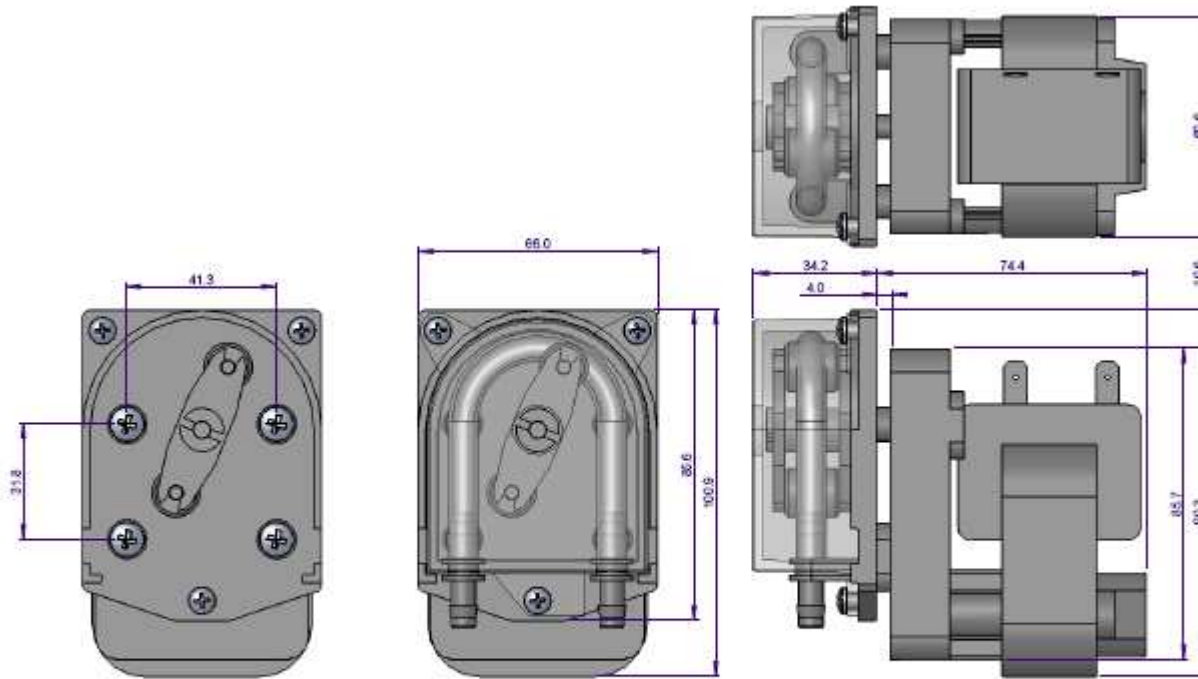


Figure 5: Dimensions of the TP 3005 with AC motor

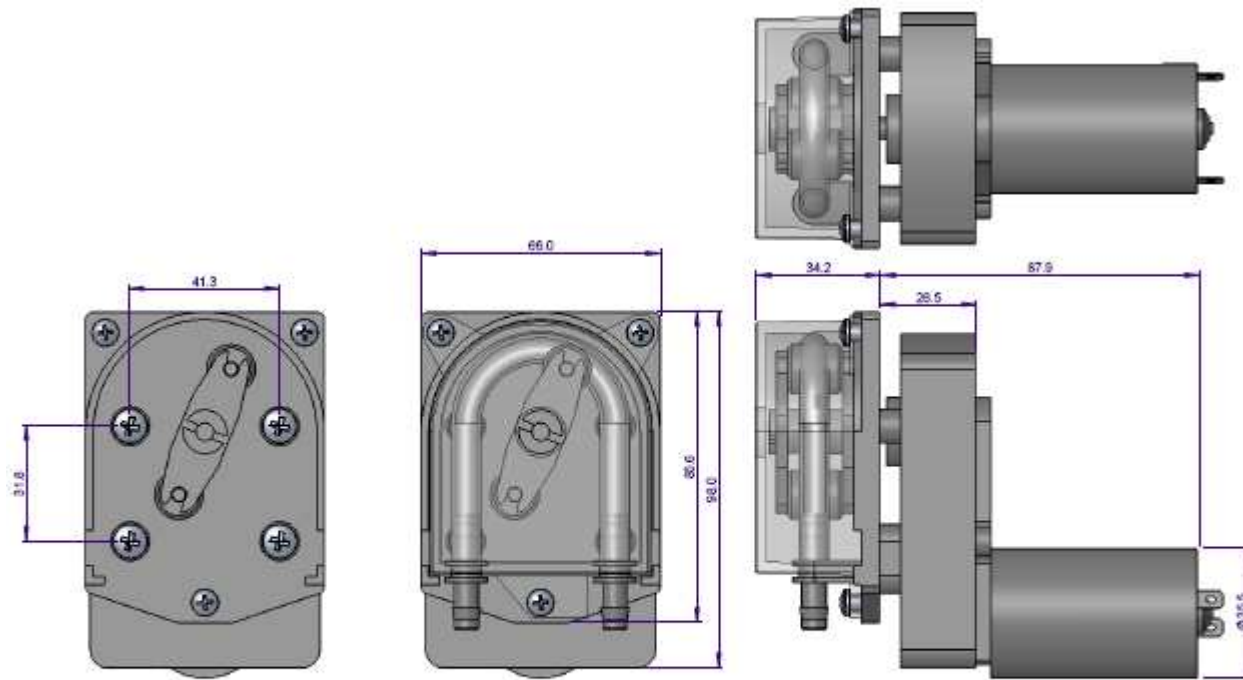


Figure 6: Dimensions of the TP 3005 with DC motor



Address:

Thölen Pumpen GmbH

Martinistrasse 50b

47608 Geldern

Germany

Phone: +49 028 31 134998-0

Fax: +49 028 31 134998-200

Web: www.peristalticpumps.org

Email: info@thoelen-pumpen.de

Version: 07.08.2015