

Level Measurement Expert

6.3GHz Pulse Radar Liquid Level Transmitter

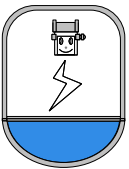
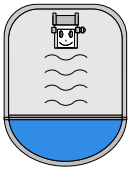


Table of Contents

1 Measurement Principle	1
2 Product Overview.....	2
3 Mounting Requirement.....	5
4 Electrical Connection.....	11
5 Adjustment Instructions.....	14
6 Dimensional Drawings.....	17
7 Technical Specifications.....	21
8 Selection & Ordering Information.....	25
9 Application Questionnaire	30

1. Measurement Principle



- Principle

The extremely narrow microwave pulse emitted by the antenna on radar level instrument can travel at the speed of light and part of its energy, which is reflected off the surface of target medium, is received by the very same antenna. The time lapse between pulse emission and reception by the antenna is proportional to the distance between the surface of target medium and the reference point on antenna. However, due to the fact that the electromagnetic wave is transmitted at extremely high speed, which leads to the tiny time lapse (nanosecond level) and makes it difficult to be identified, TNRP5X series of radar level instrument have adopted a special demodulation technology, enabling itself to detect the time lapse between pulse emission and reception correctly, and eventually generate accurate measurement result.

- Features

Equipped with advanced microprocessor and unique EchoDiscovery echo processing technology, the radar level instrument can be used under various hazardous process conditions.

The false echo storage function enables the instrument to detect the true echo with the presence of multiple false echoes and eventually generate accurate measurement results.

There are multiple options available in choosing various process connection and detection component, which enables □TNRP5X series radar level instrument to be applied in a broad array of hazardous applications, such as high temperature, high pressure, small dielectric constant and so on.

The guided wave radar level instrument, with pulses as its working tool and extremely low emission power, can be mounted on various metal or nonmetal vessels, harmless towards the environment and human beings.

2 Product Overview

TNRP51



Application:	Level Measurement in liquids, especially erosive liquids, under easy process condition
Max Measurement Range:	30m
Measurement Accuracy:	±10mm
Process Connection:	G1½A, 1½NPT
Antenna Material:	PP/PTFE
Process Temperature:	(-40~120)°C
Process Pressure:	(-0.1~0.3) MPa
Frequency Range:	6GHz
Signal Output:	(4~20)mA/HART
Power	dual-wire (DC24V) four-wire (DC24V/AC220V)

TNRP52



Application:	Level Measurement in Liquids, especially strong erosive liquids under high temperature and pressure, easy process condition
Max Measurement Range:	30m
Measurement Accuracy:	±10mm
Process Connection:	PTFE Flange
Antenna Material:	PTFE
Process Temperature:	(-40~150)°C
Process Pressure:	(-0.1~1.6) MPa
Frequency Range:	6GHz
Signal Output:	(4~20)mA/HART
Power	dual-wire (DC24V) four-wire (DC24V/AC220V)

TNRP53



Application:	Storage/process vessels under hazardous process condition
Max Measurement Range:	35m
Measurement Accuracy:	±10mm
Process Connection:	Flange 316L
Antenna Material:	Stainless Steel 316L/PTFE
Process Temperature:	(-40~200)°C
Process Pressure:	(-0.1~4) MPa
Frequency Range:	6GHz
Signal Output:	(4~20)mA/HART
Power	dual-wire (DC24V) four-wire (DC24V/AC220V)

TNRP54



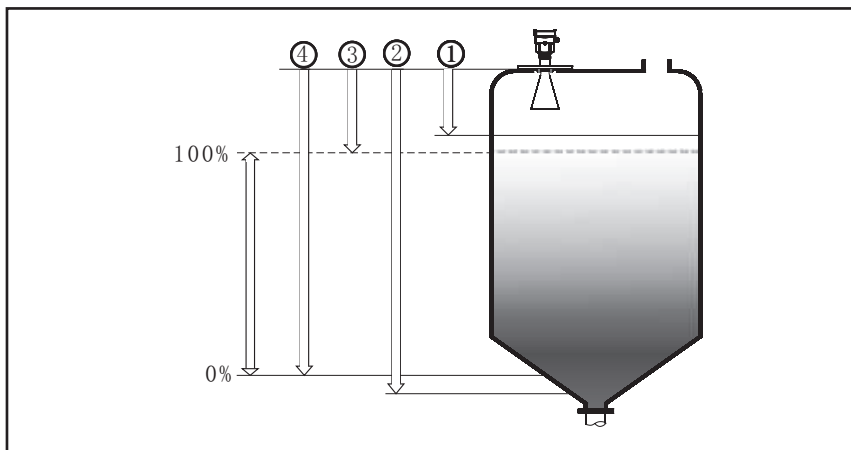
Application:	Storage/process vessels under hazardous process condition, especially small electrical constant
Max Measurement Range:	70m
Measurement Accuracy:	±20mm
Process Connection:	Flange 316L
Antenna Material:	Stainless Steel 316L/PTFE
Process Temperature:	(-40~200)°C
Process Pressure:	(-0.1~4) MPa
Frequency Range:	6GHz
Signal Output:	(4~20)mA/HART
Power	dual-wire (DC24V) four-wire (DC24V/AC220V)

3. Mounting Requirements

- Basic Requirements

There is a certain existing beam angle while the antenna transmitting microwave pulses. There should be no barriers between the lower edge of antenna and surface of measured medium. Therefore it is highly recommended to avoid facilities inside vessels, such as ladders, limit switches, heating spirals, struts and etc, during the mounting process. "False echo learning" must be carried out during the installation in this case. Furthermore, microwave beams must NOT intersect the filling streams. Be cautious during the installation: the highest level of target medium must NOT enter into blanking zone; the instrument must keep certain distance to vessel walls; every possible measure needs to be taken to position the instrument so that the direction of antenna emission is perpendicular to the surface of measured medium. The installation of instruments in explosion proof area must abide by relevant local or federal safety regulations. Aluminum housing should be used for intrinsically safe explosion proof version, which is also applicable in explosion proof areas. The instrument must be connected with ground in this case.

- Illustrations

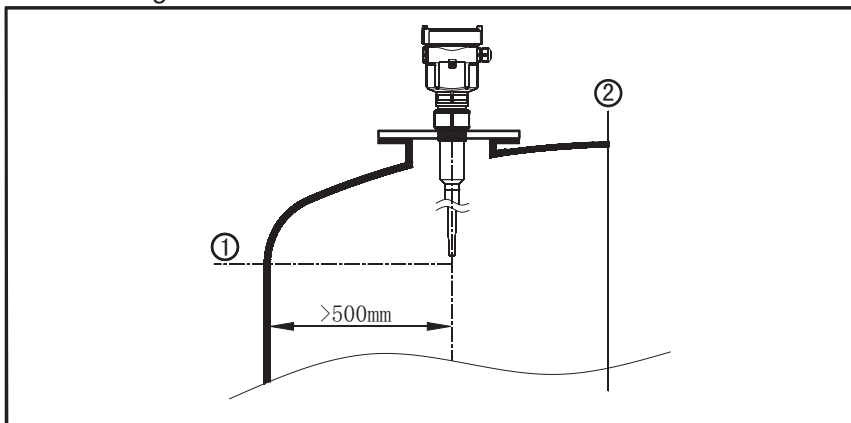


The reference plane is the thread or flange surface

1. Blanking Zone(menu1.9)
2. Empty(menu1.8)
3. Max. Adjustment(menu1.2)
4. Min. Adjustment(menu1.1)

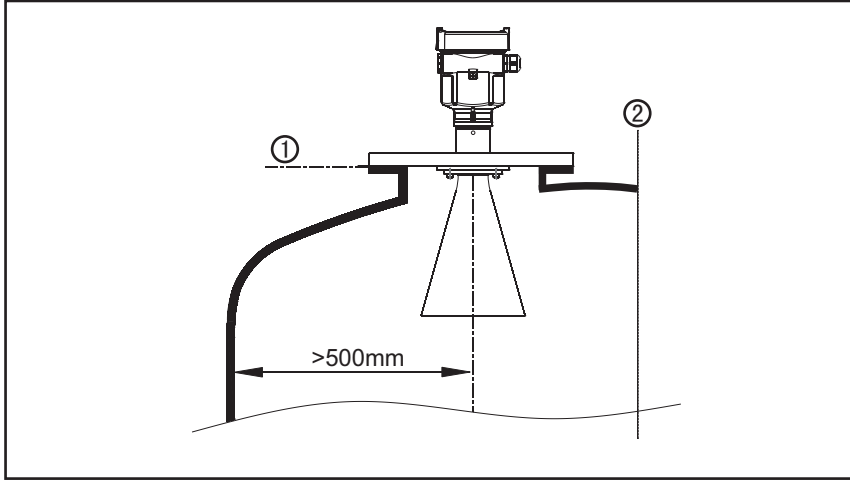
Note: The highest level of measured medium must not enter into blanking zone while radar level measurement instrument is in operation.

- Mounting Position

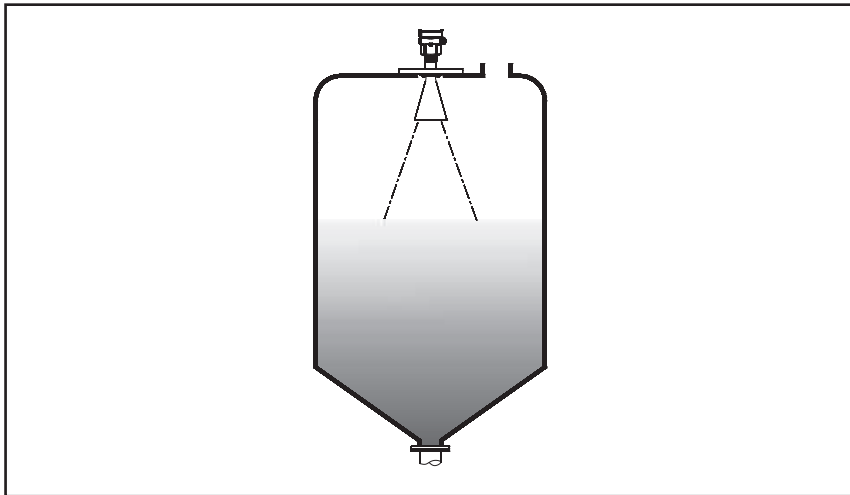


Minimum distance of 500mm between instrument and vessel wall during installation

1. Reference Plane
2. Center of Vessel or Symmetrical Axis

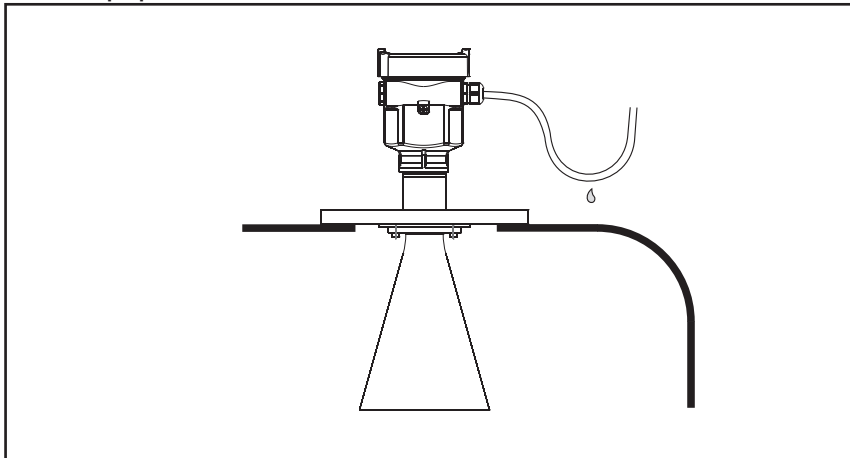


- 1.Reference Plane
- 2.Center of Vessel or Symmetrical Axis



The best mounting position for a conical vessel with flat top is the center of its top, as the effective measurement can reach the bottom of vessel.

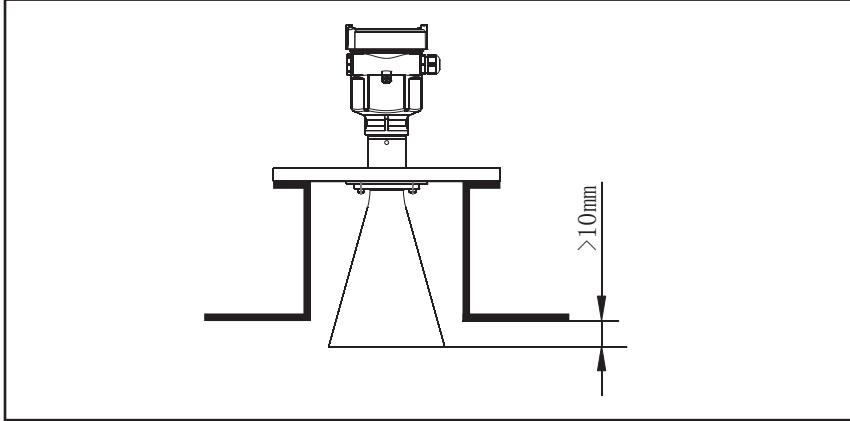
● Damp-proof



In order to avoid dampness under outdoor or humid indoor conditions or for those instruments mounted on cooling/heating vessels, seal rings used on cables should be screwed tight, plus the cable must be bended downward outside cable entry, indicated on the diagram below

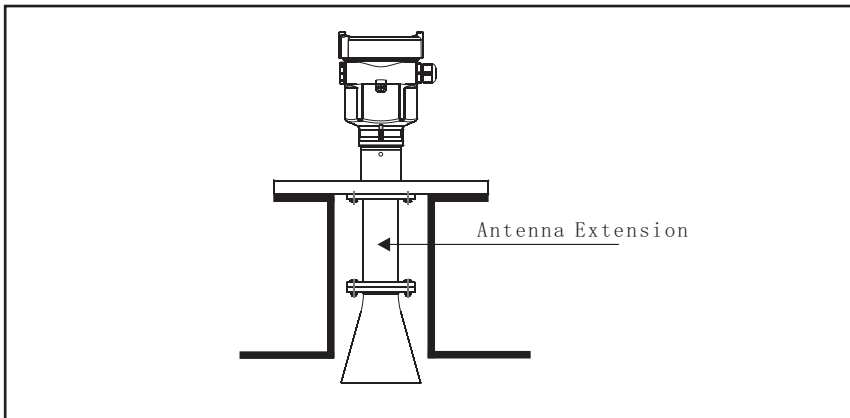
- Socket

Horn Antenna



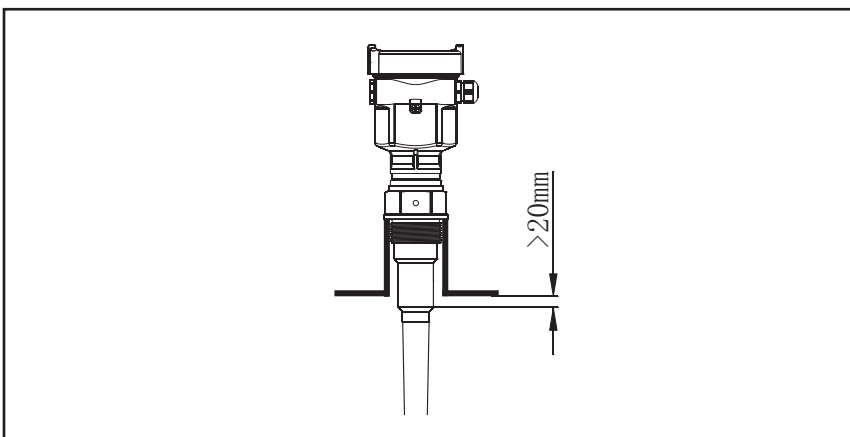
The transducer end must at least protrude 10mm out of socket.

Antenna Extension



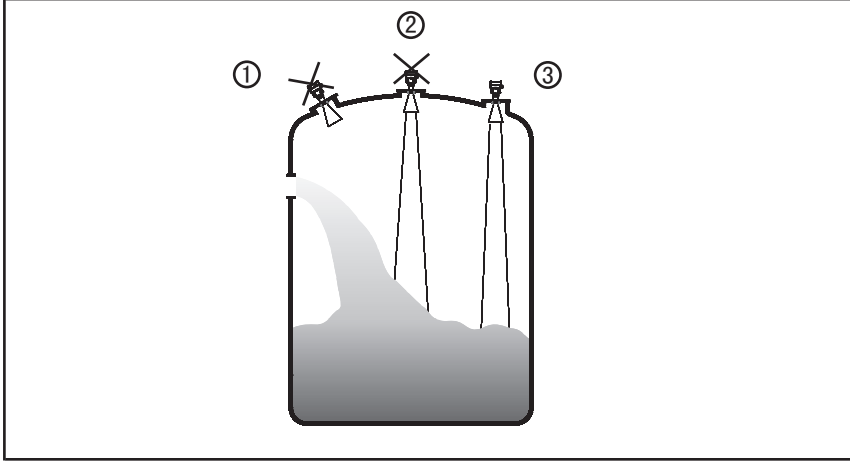
You are advused to use antenna extension if the antenna is shorter than socket.

Rod Antenna

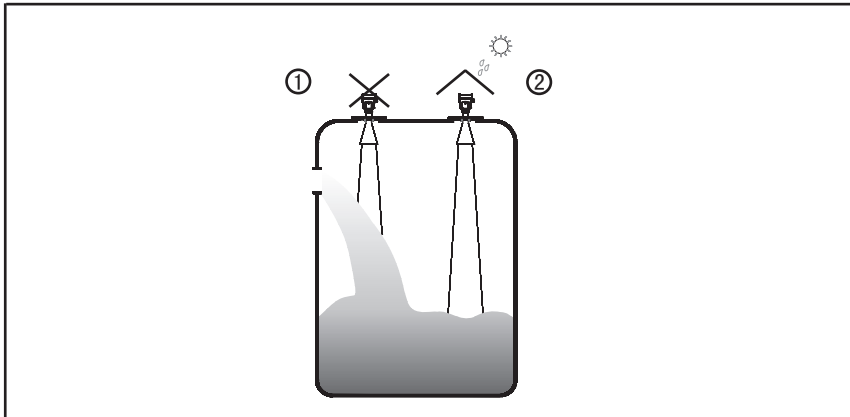


The working part of antenna ,ie. the cone-shaped body of antenna must be fully exposed from the socekt. In orderto meet the application requirement of various sockets, different radar level instruments of various sockets, different radar level instruments of variable length are available for customers to choose from(see Chapter 6 Dimensional Drawings).

- Rights and Wrongs in Mounting

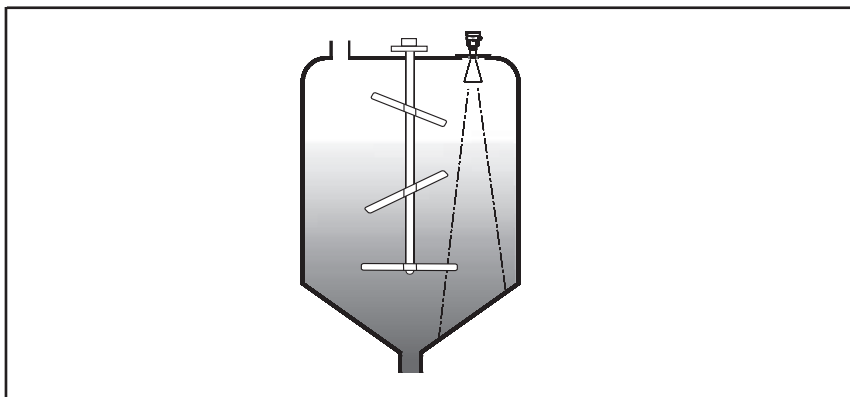


1. Wrong: Fail to turn the antenna perpendicular to the surface of target medium.
2. Wrong: Instruments are mounted in the center of concave or arched vessel tops, which results in multiple echoes.
3. Correct



1. Wrong: Mount the instrument in/above filling stream, which results in the measurement of filling stream not the target medium.
2. Correct:

Agitator



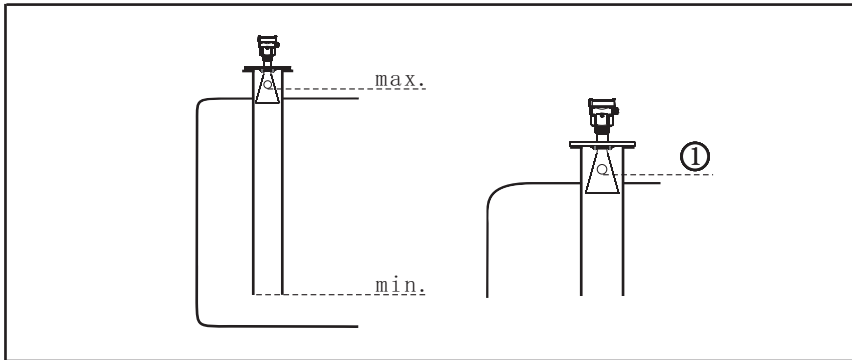
If there are agitators in vessels, instrument must be mounted as far away from agitators as possible. Once installation completed, a "false echo learning" should be carried out while agitators in motion to eliminate negative influence caused by false echo of agitators. You are advised to opt for installation with standpipe if foam or wave is generated due to the action of agitators.

- **Foam**

Due to the action of filling, stirring or other processes inside vessels, dense foams are formed on the surface of some liquid medium, which could attenuate emitting signals considerably. You are advised to mount the instrument inside a standpipe or opt for a guided wave radar level instrument if the generation of foam incurs measurement errors.

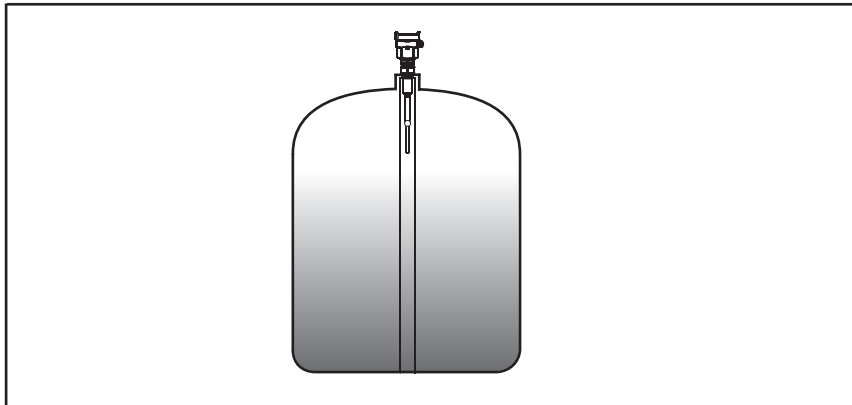
- **Installation with Standpipe**

By using standpipe, the influence of foams can be reduced.



Vent hole of diameter 5-10mm

If the measurement is undertaken by TNRP5X inside a metal standpipe, the minimum inner diameter of standpipe should be 50mm. Avoid large cracks or welding seam when connecting standpipe. False echo storage must be carried out as well in this case. Note: You must NOT mount instrument inside standpipe while measuring adhesive medium.



Installation with a plastic standpipe can avoid the generation of multiple false echoes while the instrument being mounted on the center of vessel top. You are advised to use PP or PTFE if the measured medium is strong acidic or alkaline.

4 Electrical Connection

- Power Supply

20mA/HART(2-Wire) Power supply and current signal are carried by the same two-wire connection cable. See the Technical Specifications of this guide for detailed requirement on power supply. A safety barrier should be placed between power supply and instrument for intrinsically safe version.

20mA/HART(4-wire) Power supply and current signal are carried by two 2-wire connection cables respectively. See the Technical Specifications of this guide for detailed requirement on power supply. Earth-connected current output can be used for standard version of level instruments, while the explosion proof version must be operated with a floating current output. Both instruments and earth terminals should be connected with ground firmly and securely. Normally you can either choose to connect with the earth terminal on vessel or adjacent ground in case of plastic vessels.

- Cable Connection

General Introduction

4~20mA/HART

Standard 2-wire cable with outside diameter of 5...9mm, which assures the seal effect of cable entry, can be used as feeder cable. You are recommended to use screened cables in the event of electromagnetic Connection cable with special earth wire can be used as feeder cable.

Connection cable with special earth wire can be used as feeder cable.

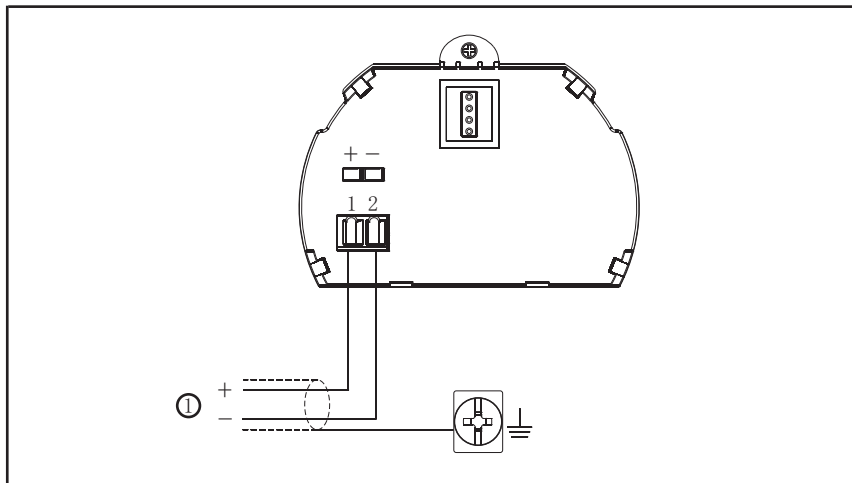
20mA/HART(4-wire)

Shielding & Grounding

The two ends of shielded cable must be connected with earth terminal. The shielded cable must be connected with inner earth terminal directly inside the transducer, while the outside earth terminal on housing must be connected with ground. In the event of earth-connected current, the shielding side of shielded cable must be connected to ground potential via a ceramic capacitor (e.g. : 1 μ F 1500V) in order to dampen the low frequency grounding current and avoid the disturbance caused by high frequency signals

- Wiring Diagram

2-wire

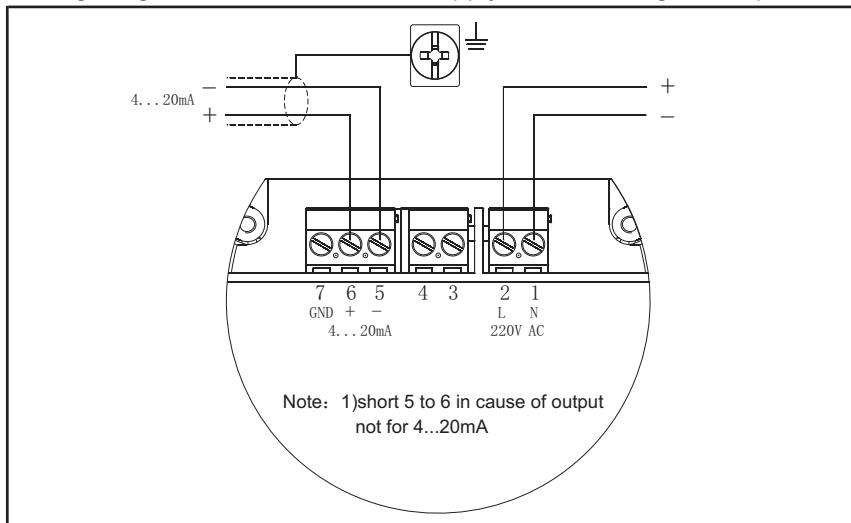


2-wire wiring used for HART (electronic unit B)

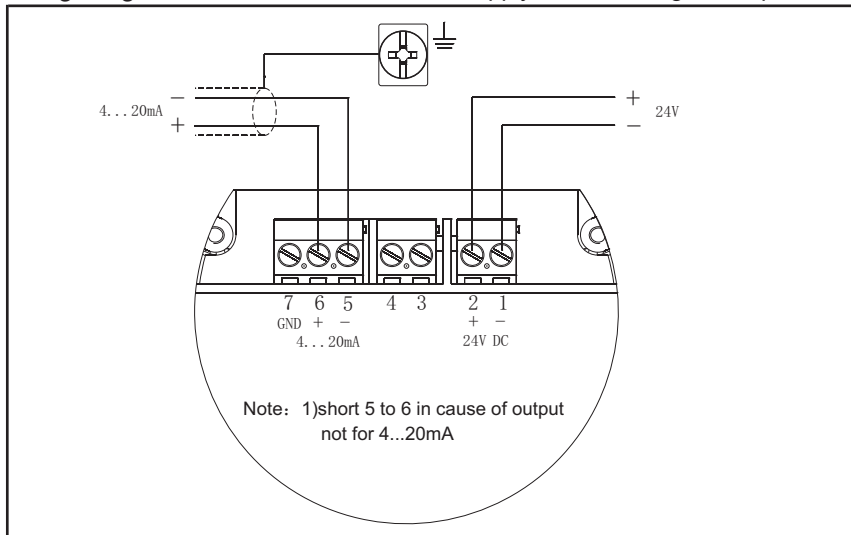
1) Power Supply and Signal Output

4-wire/2-chamber

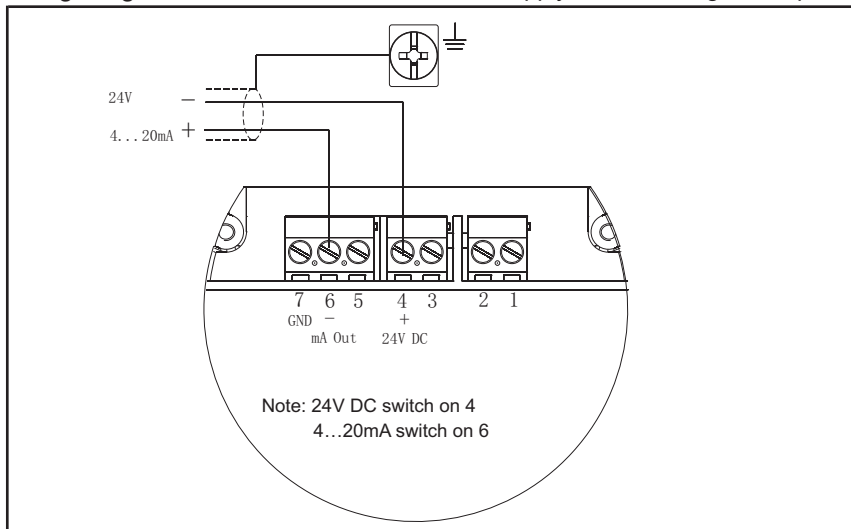
Wiring Diagram: 220V AC Power Supply, 4...20mA Signal Output (electronic unit D)



Wiring Diagram: 4-wire 24V DC Power Supply, 4...20mA Signal Output (electronic unit C)



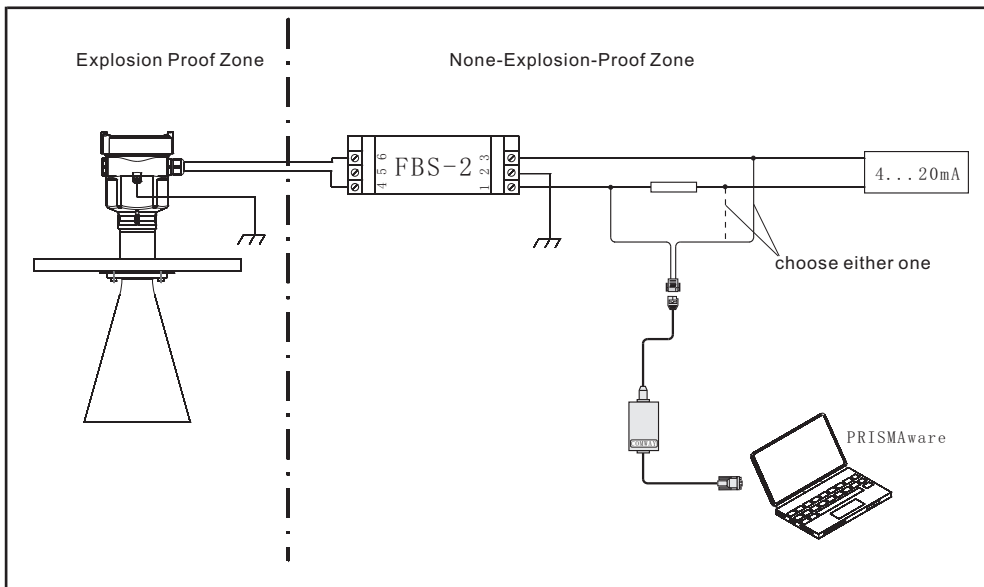
Wiring Diagram: dual-wire 24V DC Power Supply, 4...20mA Signal Output (electronic unit E)



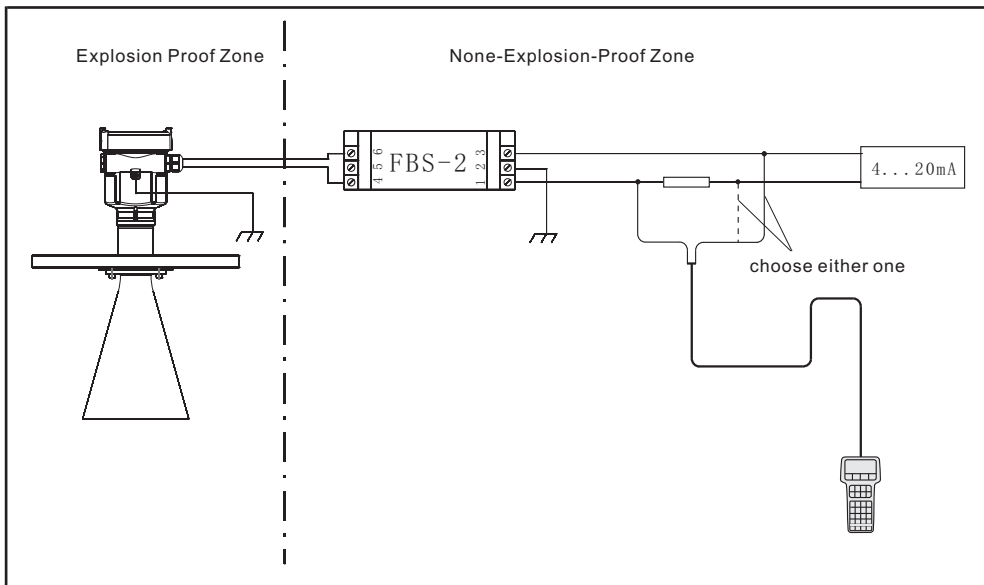
- Explosion Proof Connection

This product is an intrinsic safety explosion proof version (Exia II C T6) with aluminium housing and plastic-encapsulated internal structure aimed to prevent sparks resulted from transducer and circuit malfunction from leaking out. It is applicable for the non-contact continuous level measurement of flammable medium under the level of explosion proof inferior to Exia II c T6. You are required to use FBS-2 series (intrinsic safety explosion proof: [Exia] II C, voltage of power supply: 24V DC±5%, short-circuit current: 135mA, operating current: 4...20mA) of safety barriers, which are supplementary to this product, for the power supply of this product.

All connection cables must be screened with max. length of 500m. Stray capacitor $\leq 0.1 \mu\text{F/Km}$, stray inductance $\leq 1\text{mH/Km}$. The level measurement instrument must be connected to ground potential and unapproved supplementary devices are not allowed to use.



Adjust with PRISMAware



Adjust with HART handheld programmer

5 Adjustment Instructions

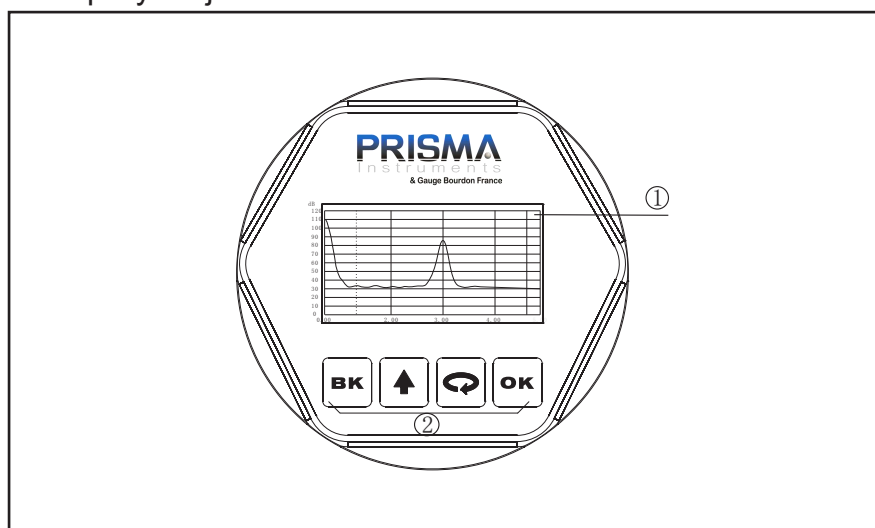
● Adjustment Methods

Three adjustment methods available for TNRP5X:

- 1.Display/Adjustment Module
- 2.Adjustment software PRISMAware
- 3.HART handheld programmer

ViewPoint is a pluggable display/adjustment module. The adjustment can be done through operating with four buttons on ViewPoint. Optional menu operation languages are available for selection. ViewPoint is only used for display after adjustment in that the measurement results can be seen clearly through the glass window.

Display/Adjustment Module



1 LCD 2 Adjustment Keypad

[OK]Keypad

- Enter programming mode;
- Confirm programming options;
- Confirm modifications to parameters.

[↻]Keypad

- Choose programming options;
- Choose the digit of parameters to edit;
- Display the contents of parameters.

[↑]Keypad

- Modify parameter values.

[BK]Keypad

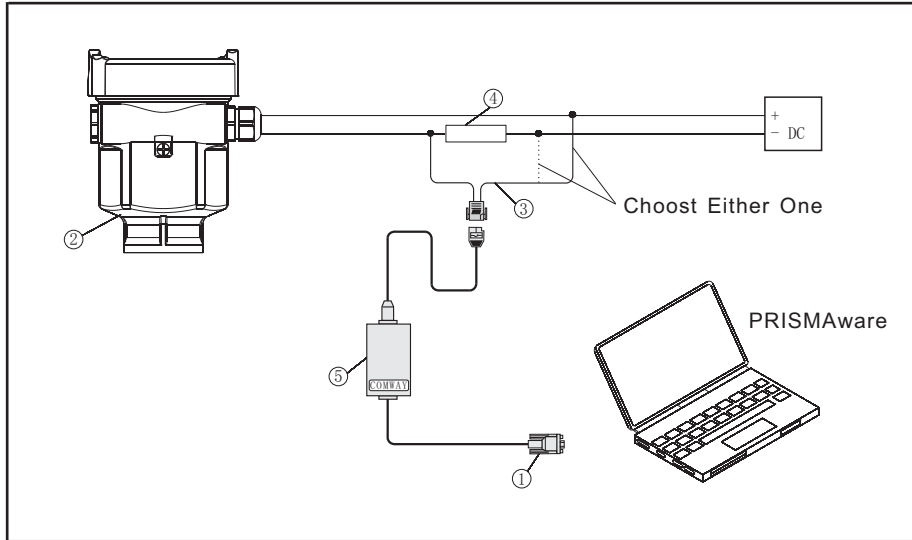
- Programming mode exit;
- Return to higher menu level.

Shortcut

[BK]Display Echo wave

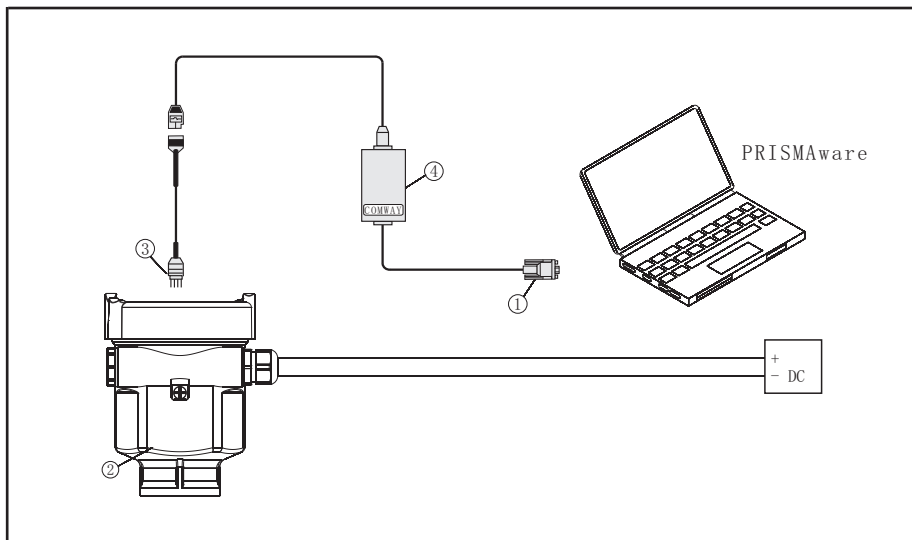
● PRISMAware

Connect with another unit through HART.



- 1 RS232 Connect Cable/USB port
- 2 TNRP5X
- 3 HATR port adapter used on COMWAY convertor
- 4 250 ohm Resistance
- 5 COMWAY Convertor

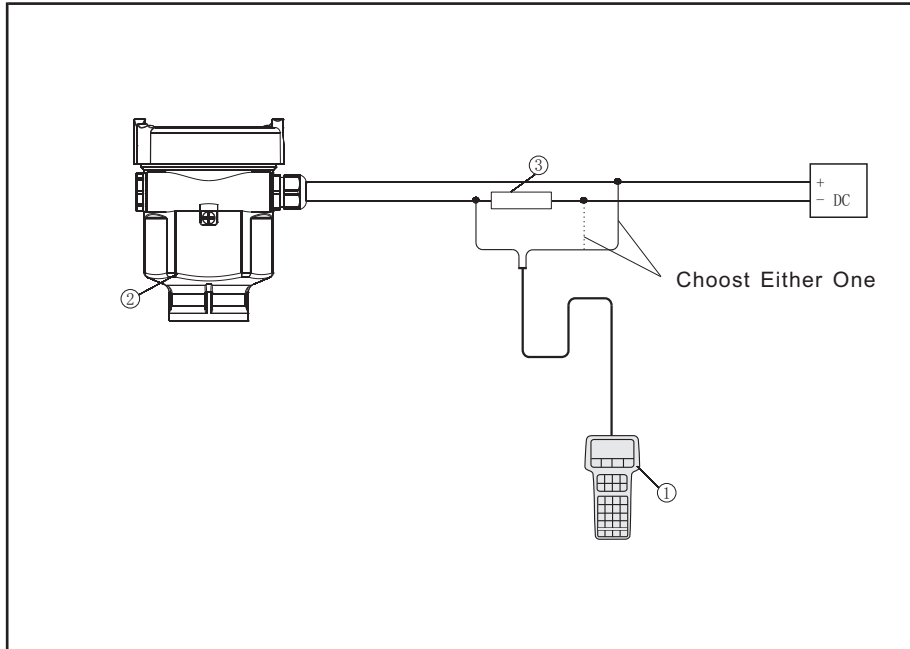
Connect with another unit through I²C.



- 1 RS232 Connect Cable/USB port
- 2 TNRP5X
- 3 I²C adapter port used on MOMWAY convertor
- 4 COMWAY Convertor

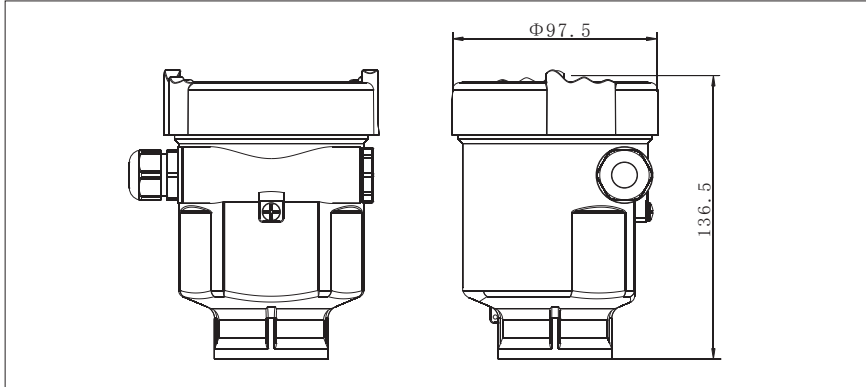
HART Handheld Programmer

Adjust TNRP 5X with HART Handheld Programmer

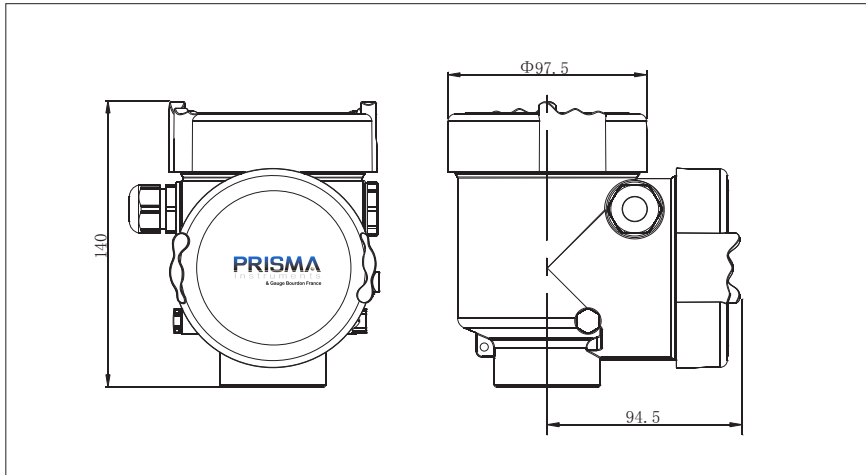


- 1 HART Handheld Programmer
- 2 TNRP 5X
- 3 250 ohm Resistance

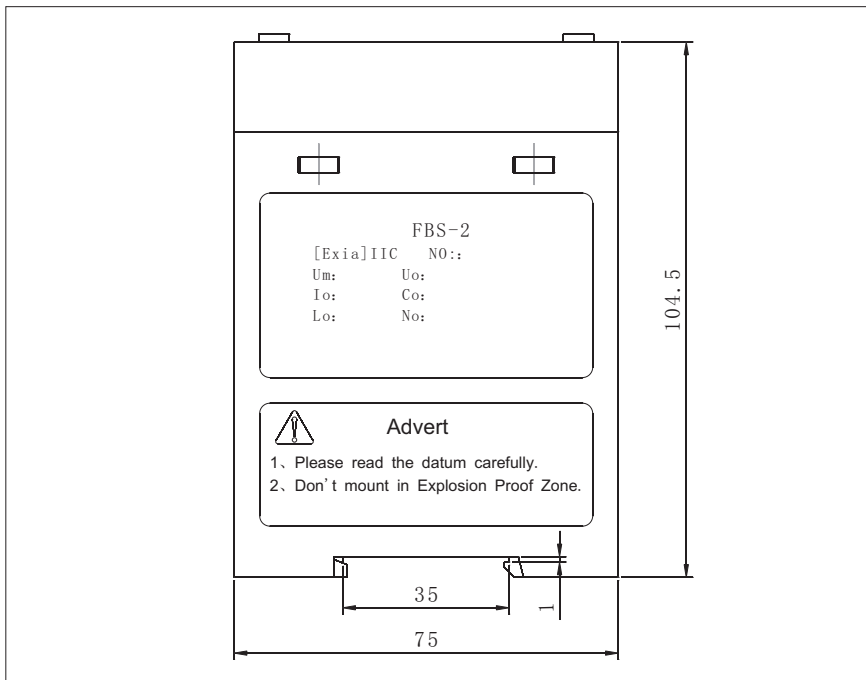
6 Dimension (Unit: mm)



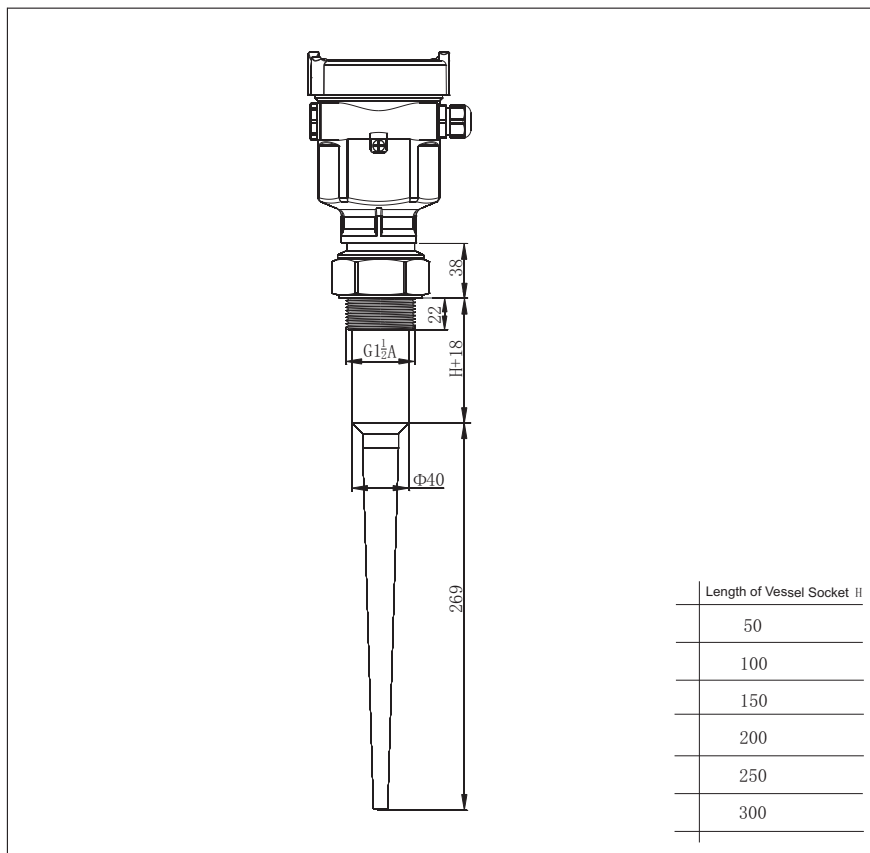
Housing A/B/G
Material: PBT/AL/316L



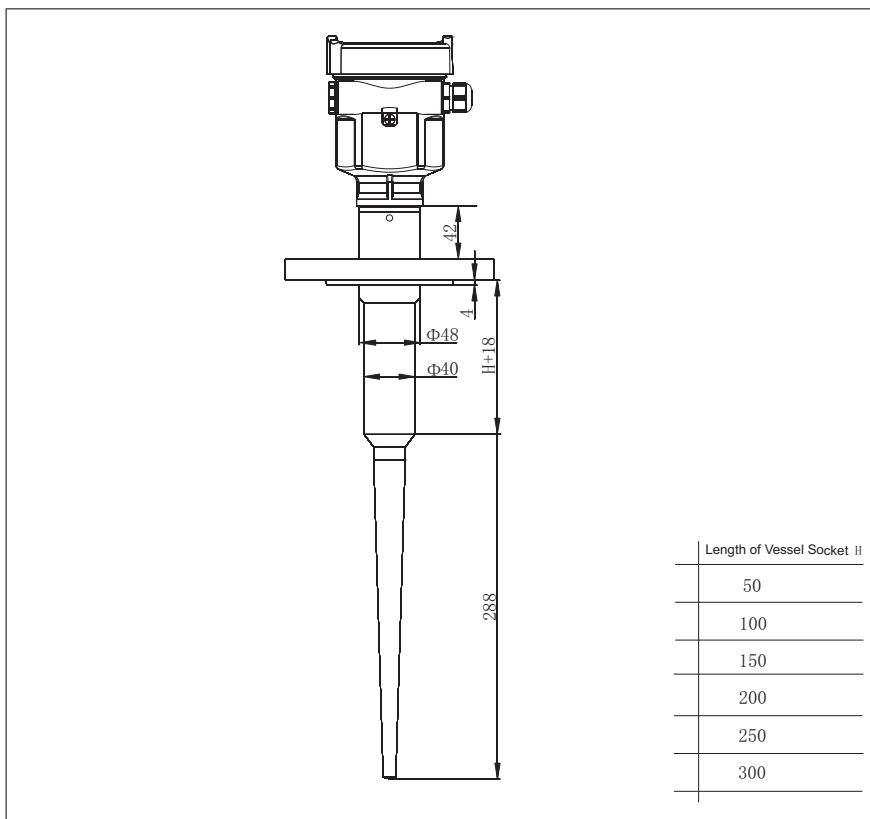
Housing D/H
two-chamber
Material: AL/316L



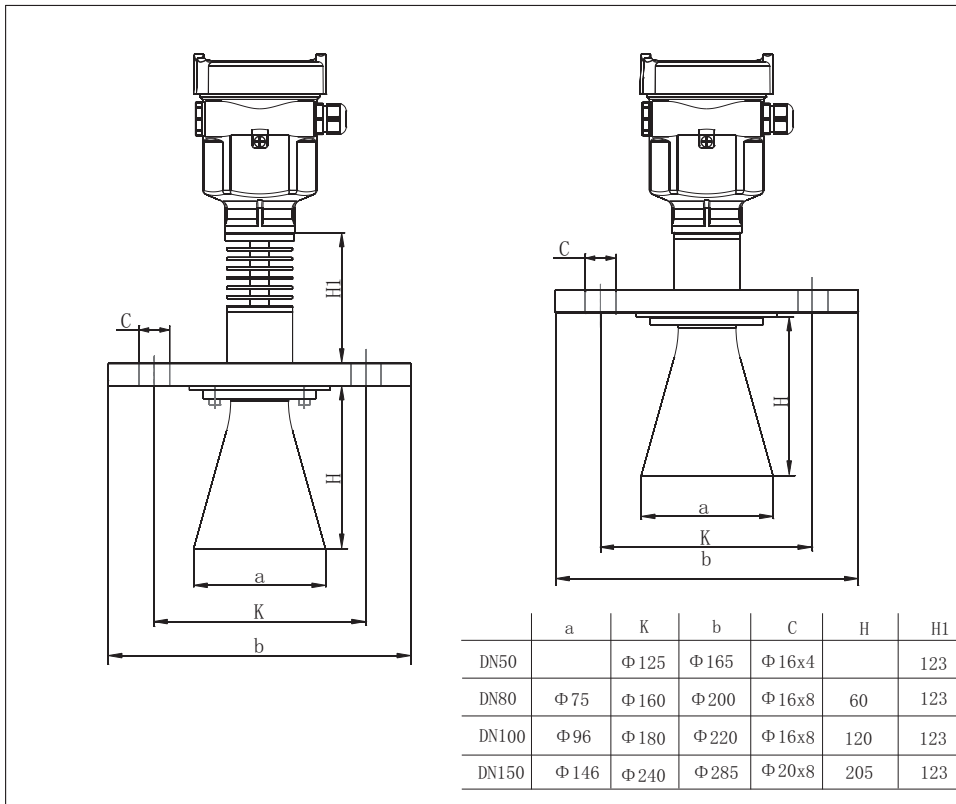
FBS Series



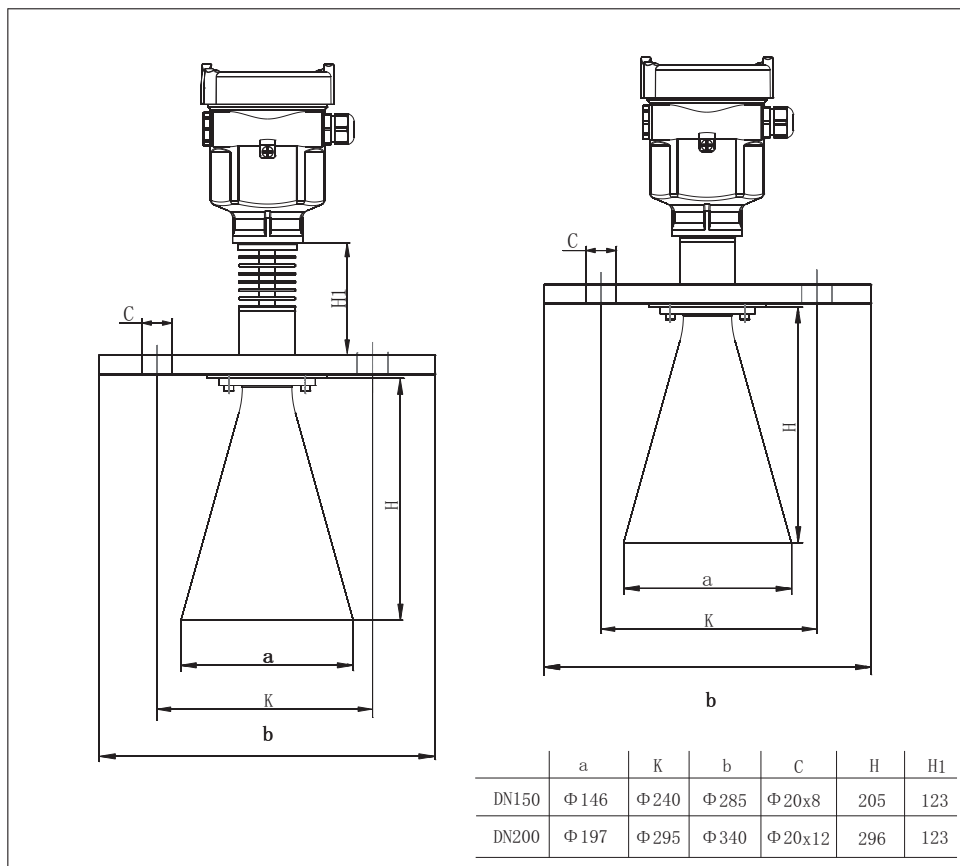
TNRP 51 Threaded Vision



TNRP 52 Flange Version



TNRP 53 Flange Version



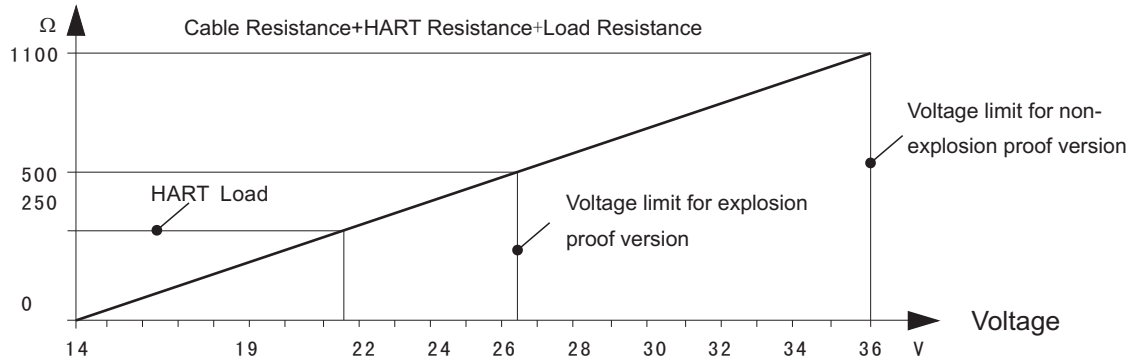
TNRP 54 Flange Version

7 Technical Specifications

● General Parameters

Process Connection	-TNRP51 -TNRP52、TNRP53 and TNRP54	Thread G1½A Flange
Material	-Antenna -Flange -Housing -Seal ring between housing and housing cover -ViewPoint window on housing -Ground terminal	PTFE、PP Stainless Steel 316L Plastic PBT-FR; Aluminium,Stainless Steel 316L Silicone Polycarbonate Stainless Steel
Weight	-TNRP51 -TNRP52 -TNRP53 -TNRP54	2kg (Depend on process connections and housings) 5kg (Depend on process connections and housings) 6kg (Depend on process connections and housings) 10kg (Depend on process connections and housings)
Power		
2-wire	Standard Version Intrinsic Safe Version Power Consumption Ripple Allowed —<100Hz —(100~100K) Hz	(16~26)V DC (21.6~26.4)V DC max.22.5mA U _{ss} <1V U _{ss} <10mV
4-wire/2-chamber	Intrinsic Safe+Explosion-Proof Power Consumption	(22.8~26.4)V DC, (198~242)V AC max.1VA, 1W
Parameters on Cable	Cable Entry/Plug Spring Connection Terminal	One cable entry of M20x1.5 (cable diameter of 5~9mm), one binding of M20x1.5 Applicable for cables with cross section of 2.5mm ²
Output	Output Signal Resolution Fault Signal -2-wire load resistance -4-wire load resistance Integration Time	4~20mA/HART 1.6uA Constant current output: 20.5mA; 22mA; 3.9mA See diagram below Max. 500ohm 0~40sec, adjustable

2-Wire Load Resistance Diagram



- | | | |
|--------------------------|-------------------------------|---|
| Characteristic parameter | Blanking Distance | End of Antenna |
| | Max Measurement Distance | - TNRP 51 30m (liquid) |
| | - TNRP 52 | 30m (liquid) |
| | - TNRP 53 | 35m |
| | - TNRP 54 | 70m |
| | Microwave Frequency | 6GHz |
| | Measurement Interval | About 1sec (Depend on parameter settings) |
| | Adjustment Time ¹⁾ | About 1sec (Depend on parameter settings) |
| | Beam Angle | See the diagram below |

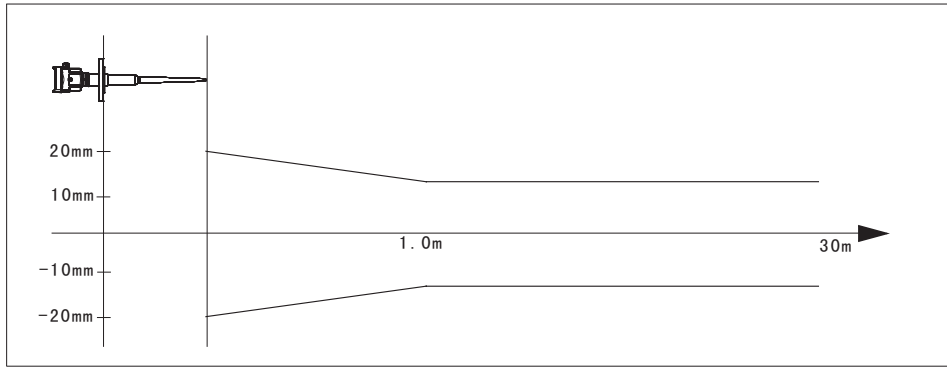
Stats on Beam Angle of Horn Antenna

Size of Antenna	TNRP 53/54			TNRP 51/52
	Horn			Antenna
	DN150	DN200	DN200	
Beam Angle a	20°	16°	14°	24°

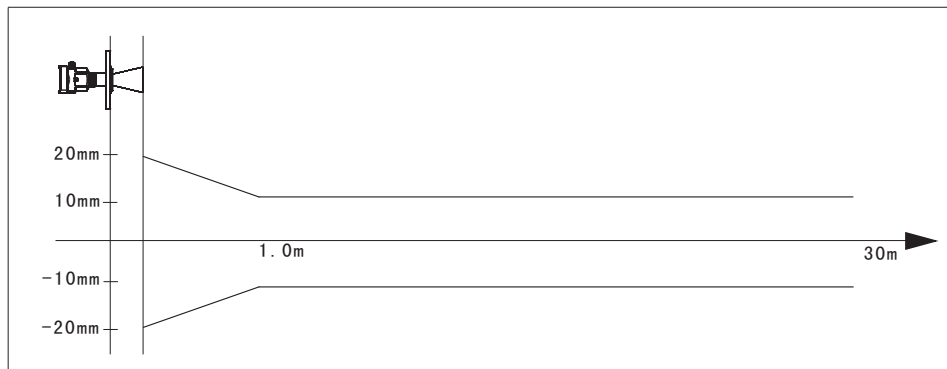
- Resolution of Display 1mm
- Accuracy 10mm or <0.1% (See the accuracy illustration diagram below)
- Temperature for Storage/Transport -40~+80 °C
- Process Temperature (Probe)
 - TNRP 51 -40~+120 °C
 - TNRP 52 -40~+150 °C
 - TNRP 53 -40~+200 °C
 - TNRP 54 -40~+200 °C
- Relative Humidity <95%
- Pressure Max. 4MPa
- Vibration Proof Mechanical vibration 10m/s 10m²/s , 10~150Hz

1) The generation of accurate measurement results needs longer time than usual in the event of drastic level changes(mx. Error 10%).

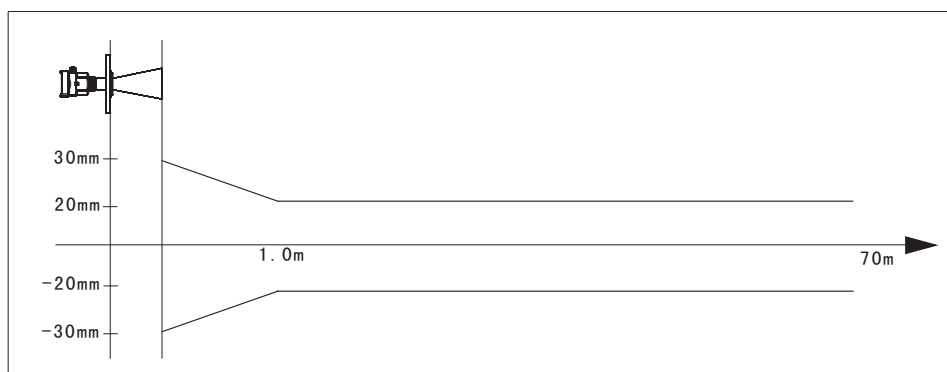
TNRP51/52 Accuracy See the diagram below



TNRP53 Accuracy See the diagram below



TNRP54 Accuracy See the diagram below



8 Selection & Ordering Information

● TNRP 51

Explosion Proof Approval	
P	Standard (Without Approval)
I	Intrinsically Safe (Exia IIC T6)
C	Intrinsically Safe+Ship Approval (Exia IIC T6) (NO)
G	Intrinsically Safe+Flameproof Approval (Exd ia IIC T6)
Shape of Antenna/Material/Process Temperature	
A	Plastic Rod/PP/-40~+120 °C
B	Plastic Rod/PTFE/-40~+120 °C
Length of Vessel Socket	
A	50mm
B	100mm
C	150mm
D	200mm
E	250mm
F	300mm
X	Special Design
Process Connection/Material	
GP Thread	G1½A
NP Thread	1½NPT
YP	Special Design
Electronic	
B	(4~20)mA/HART 2-Wire
C	(4~20)mA/(22.8~26.4)V DC/HART 4-Wire(2-chamber)
D	(198~242)V AC/HART 4-Wire
E	(4~20)mA/(22.8~26.4)V DC/HART 2-Wire(2-chamber)
X	Special Design
Housing/Protection	
A	Aluminium/IP67
B	Plastic/IP66
D	Aluminium (2-chamber)/IP67
G	Stainless Steel316L/IP67
H	Stainless Steel316L(2-chamber)/IP67
Cable Entry	
M	M20x1.5
N	½NPT
Display/Programming	
A	Yes
X	No

Note: The instrument with approval "I" can only use Electronic "B" and housing "A", The instrument with approval "C" can only use Electronic "B" and housing "G", The instrument with approval "G" can only use Electronic "C or D, E" and housing "D".

Standard flange size of the reference GB/T9119-2000 Thickness of 15.

● TNRP52

Explosion Proof Approval			
P	Standard (Without Approval)		
I	Intrinsically Safe (Exia IIC T6)		
C	Intrinsically Safe+Ship Approval (Exia IIC T6) (NO)		
G	Intrinsically Safe+Flameproof Approval (Exd ia IIC T6)		
Shape of Antenna/Material/Process Temperature			
B	Plastic Rod/PTFE/-40~+150°C		
Antenna Extension			
A	50mm		
B	100mm		
C	150mm		
D	200mm		
E	250mm		
F	300mm		
X	Special Design		
Process Connection			
FC	PTFE	Loose Flange with Stud End DN50	PN1.6 Stainless Steel316L(GB/T9119-2000)
FD	PTFE	Loose Flange with Stud End DN80	PN1.6 Stainless Steel316L(GB/T9119-2000)
FE	PTFE	Loose Flange with Stud End DN100	PN1.6 Stainless Steel316L(GB/T9119-2000)
FK	PTFE	Loose Flange with Stud End DN150	PN1.6 Stainless Steel316L(GB/T9119-2000)
YP	Special Design		
Electronic			
B	(4~20) mA/HART 2-Wire		
C	(4~20) mA/(22.8~26.4) V DC/HART 4-Wire(2-chamber)		
D	(198~242) V AC/HART 4-Wire		
E	(4~20) mA/(22.8~26.4) V DC/HART 2-Wire(2-chamber)		
X	Special Design		
Housing/Protection I			
A	Aluminium/IP67		
B	Plastic/IP66		
D	Aluminium (2-chamber)/IP67		
G	Stainless Steel316L/IP67		
H	Stainless Steel316L(2-chamber)/IP67		
Cable Entry			
M	M20x1.5		
N	½NPT		
Display/Programming			
A	Yes		
X	No		

Note: The instrument with approval "I" can only use Electronic "B" and housing "A", The instrument with approval "C" can only use Electronic "B" and housing "G", The instrument with approval "G" can only use Electronic "C or D, E" and housing "D".

Standard flange size of the reference GB/T9119-2000 Thickness of 15.

● TNRP 53

Explosion Proof Approval	
P	Explosion Proof Approval
I	Intrinsically Safe (Exia IIC T6)
C	Intrinsically Safe+Ship Approval (Exia IIC T6)
G	Intrinsically Safe+Flameproof Approval (Exd ia IIC T6)
Shape of Antenna/Material	
C	Horn Φ 50mm/Stainless Steel316L (Only applicable for installation with standpipe) *
D	Horn Φ 80mm/Stainless Steel316L (Only applicable for installation with standpipe) *
E	Horn Φ 100mm/Stainless Steel316L
F	Horn Φ 150mm/Stainless Steel316L
G	Horn Φ 200mm/Stainless Steel316L
H	Parabolic Φ 454mm/Stainless Steel316L
K	Horn Φ 100mm Stainless Steel/Internal PTFE coating
L	Horn Φ 150mm Stainless Steel/Internal PTFE coating
Antenna Extension	
A	No
B	200mm
C	500mm
D	1000mm
E	2000mm
X	Special Design
Process Connection/Material	
FA	Flange DN50 PN1.6 Stainless Steel316L(GB/T9119-2000)
FB	Flange D80 PN1.6 Stainless Steel316L(GB/T9119-2000)
FC	Flange DN100 PN1.6 Stainless Steel316L(GB/T9119-2000)
FD	Flange DN150 PN1.6 Stainless Steel316L(GB/T9119-2000)
FE	Flange Dn200 PN1.6 Stainless Steel316L(GB/T9119-2000)
YP	Special Design
Seal/Process Temperature	
2	Viton/-40~+130 °C
3	Kalrez/-20~+130 C
4	Viton/-40~+200 °Cwith radiator fins (Process Temperature >100 °C)
5	Kalrez/-20~+200 °Cwith radiator fins (Process Temperature >100 °C)
Electronic	
B	(4~20) mA/HART 2-Wire
C	(4~20) mA/(22.8~26.4) V DC/HART 4-Wire(2-chamber)
D	(198~242) V AC/HART 4-Wire
E	(4~20) mA/(22.8~26.4) V DC/HART 2-Wire(2-chamber)
X	Special Design
Housing/Protection	
A	Aluminium/IP67
B	Plastic/IP66
D	Aluminium (2-chamber)/IP67
G	Stainless Steel316L/IP67
H	Stainless Steel316L(2-chamber)/IP67

Cable Entry	
M	M20x1.5
N	½NPT
Display/Programming	
A	Yes
X	No
Huff	
A	Yes
X	No

Note: The instrument with approval "I" can use Electronic "B" and housing "A, D, G, H",
 The instrument with approval "C" can use Electronic "B" and housing "G",
 The instrument with approval "G" can use Electronic "C or D, E" and housing "D, H".
 Standard flange size of the reference GB/T9119-2000 Thickness of 15mm.

● TNRP 54

Explosion Proof Approval	
P	Explosion Proof Approval
I	Intrinsically Safe (Exia IIC T6)
C	Intrinsically Safe+Ship Approval (Exia IIC T6) (NO)
G	Intrinsically Safe+Flameproof Approval (Exd ia IIC T6)
Shape of Antenna/Material	
F	Horn Φ 150mm/Stainless Steel316L
G	Horn Φ 200mm/Stainless Steel316L
H	Horn Φ 200mm/Stainless Steel316L
Antenna Extension	
A	no
B	200mm
C	500mm
D	1000mm
X	Special Design
Process Connection/Material	
FB	Flange DN150 PN1.6 Stainless Steel316L(GB/T9119-2000)
FC	Flange Dn200 PN1.6 Stainless Steel316L(GB/T9119-2000)
YP	Special Design
Seal/Process Temperature	
2	Viton/-40~+130 °C
3	Kalrez/-20~+130 C
4	Viton/-40~+200 °C with radiator fins (Process Temperature >100 °C)
5	Kalrez/-20~+200 °C with radiator fins (Process Temperature >100 °C)
Electronic	
B	(4~20) mA/HART 2-Wire
C	(4~20) mA/(22.8~26.4) V DC/HART 4-Wire(2-chamber)
D	(198~242) V AC/HART 4-Wire
E	(4~20) mA/(22.8~26.4) V DC/HART 2-Wire(2-chamber)
X	Special Design
Housing/Protection	
A	Aluminium/IP67
B	Plastic/IP66
D	Aluminium (2-chamber)/IP67
G	Stainless Steel316L/IP67
H	Stainless Steel316L(2-chamber)/IP67

Cable Entry	
M	M20x1.5
N	1/2NPT
Display/Programming	
A	Yes
X	No
Huff	
A	Yes
X	No

Note: The instrument with approval "I" can use Electronic "B" and housing "A, D, G, H",
 The instrument with approval "G" can use Electronic "C or D, E" and housing "D, H".
 Standard flange size of the reference GB/T9119-2000 Thickness of 15mm.

9 Application Questionnaire

Approvals

- Standard Version
 Intrinsically Safe Version (Exia IIC T6)
 Intrinsically Safe Version (Exia IIC T6)
 Intrinsically Safe Version+Ship Approval (Exia IIC T6)
 Intrinsically Safe Version+Explosion Proof (Exd [ia] IIC T6)

Measured Medium

Name _____
 Condition
 Liquid
 Solid (Form
 Mass
 Particle
 Dust)
 Temperature: Min. _____ C Norm. _____ C Max. _____ C
 Surface
 Flat
 Turbulent
 Agitated
 Vortex
 Dielectric Constant
 $\epsilon_r < 3$
 $\epsilon_r > 3$

Atmosphere

Atmosphere
 Form
 Foam
 Dust
 Deposit
 Vapour
 Atmosphere Pressure Min. _____ Norm. _____ Max. _____

Vessel

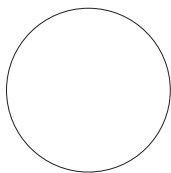
Shape of Top
 Flat
 Arch
 Conical
 Horizontal
 Height _____ Diameter _____
 Critical Information
 Nozzle Length: _____ Nozzle Diameter: _____ Measurement Range: _____

Process Connection

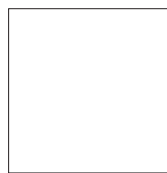
Thread (G $\frac{3}{4}$ A
 $\frac{3}{4}$ NPT
 G1A
 G1A, M105x2
 G1 $\frac{1}{2}$ A
 1 $\frac{1}{2}$ NPT
 G2A)
 Flange (DN=)
 Swivelling Holder

Installation

Mode:
 Top
 Side
 Filling Stream inlet position and installation position (Please specify in the diagram below)



Circular Vessel



Square Vessel

Power Supply
 220V AC
 2-wire 24V DC
 3-wire 24V DC
 4-wire 24V DC

Communication
 (4~20) mA/HART

Display
 Yes
 No

Customer Information

Contact: _____
 Company: _____
 Address: _____
 P. C.: _____ Tel: _____
 Email: _____ Fax: _____

Please give brief explanation on the application of instrument:

Date: _____

Level Measurement Expert

Prisma Instruments
Expertise & Industrial Solutions

Prisma Instruments
89, rue du Vallat
13400 Aubagne
FRANCE

Tel. : +33 (0)4 42 70 74 04
Fax : +33 (0)4 42 70 38 64
@ : contact@prisma-instruments.com