



COMPACT, HIGH-ACCURACY DIFFERENTIAL PRESSURE TRANSDUCER

MODEL 136 / 236 / 336

FEATURES:

- Compact design
- Up to $\pm 0.05\%$ FSO accuracy
- 1 PSID thru 500 PSID (0.1 thru 35 BAR D)
- Line pressure up to 1000 PSI (69 BAR)
- All-welded 316L stainless steel wetted parts
- High shock and vibration resistance
- Fast response time

APPLICATIONS:

- Liquefied natural gas (LNG) transport and storage
- Automotive test stands
- Aircraft engine test stands
- Flow measurements
- Filtration
- Tank level
- Leak testing

PRODUCT OVERVIEW:

The Model 136/236/336 from GP:50 is a family of highly accurate, digitally compensated differential pressure transducers. Model 136/236/336 measures differential pressure ranges as low as 20" WCD and line pressures up to 1000 PSID (69 BAR) in a compact size. Customers may also choose from among multiple accuracy, digital output, process and electrical connections. Please consult the factory for details.

FIELD OPTIONS:

- Accuracy options to $\pm 0.05\%$ FSO
- Digital output options; CANbus, USB, RS-485 &
- Comprehensive selection of process and electrical connections



Model 136 / 236 / 336
Compact, High-Accuracy
Differential Pressure Transducer

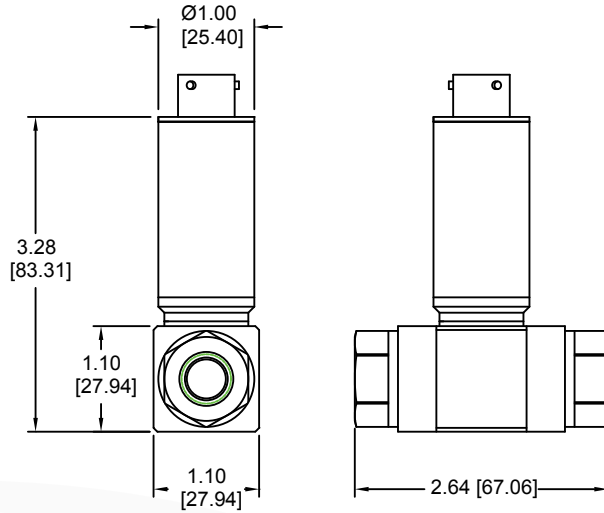
GP:50 MODEL 136 / 236 / 336

DIMENSIONAL DRAWING

All dimensions are in inches (mm)

STANDARD WIRING

PIN	MODEL 136	MODEL 236	MODEL 336
A/1	+EXC	+EXC	+EXC/SIG
B/2	+SIG	+SIG	N/C
C/3	-SIG	N/C	N/C
D/4	-EXC	-EXC/SIG	-EXC/SIG
E/5	N/C	N/C	N/C
F/6	N/C	N/C	N/C



REFERENCE SPECIFICATIONS

<p>ELECTRICAL</p> <ul style="list-style-type: none"> • Supply Voltage: (Model 136) 5.0 to 15 Vdc (Models 236, 336) 9.0 to 32 Vdc • Output Signal: (Model 136) 3, 5, 10 mV/V (Model 236) 0 to 5 Vdc, 0 to 10 Vdc option (Model 336) 4-20 mA • Response Time: 2 ms typical • Connection: PTIH-10-6P (consult factory for other options) 	<p>MECHANICAL</p> <ul style="list-style-type: none"> • Process Connection: 1/4" NPT (F) (Consult factory for other options) • Proof Pressure: 2X FSO • Burst Pressure: 5X FSO • Line Pressure: 1000 PSI (69 BAR) • Approximate Weight: 8 oz (254 gm) • Orientation Effect ≤ 2 PSI: ±3.5% FSO, Rotated 90° from Horizontal
<p>MATERIALS OF CONSTRUCTION</p> <ul style="list-style-type: none"> • Wetted Parts: 316L stainless steel • Housing: 300 series stainless steel • Internal Fill: Silicon Oil (Fomblin Oil Available) 	<p>PRESSURE RANGES</p> <ul style="list-style-type: none"> • 1 PSID thru 500 PSID (0.1 thru 35 BAR D) (Other ranges available)
<p>STATIC ACCURACY (HYSTERESIS, NON-LINEARITY & REPEATABILITY @ +70 °F)</p> <ul style="list-style-type: none"> • ±0.25% FSO (±0.10%, ±0.05% FSO optional) 	<p>THERMAL SPECIFICATIONS</p> <ul style="list-style-type: none"> • Compensated Range: 0 °F to +185 °F (-18 °C to +77 °C) (Other ranges available) • Operating Ambient: -40 °F to +250 °F (-40 °C to +121 °C) • Operating Process: -40 °F to +250 °F (-40 °C to +121 °C) • Storage Ambient: -50 °F to +260 °F (-46 °C to +127 °C)
<p>OPTIONAL VARIATIONS</p> <p>Zero & span, shunt calibration, alternate connectors, pressure ports</p>	<ul style="list-style-type: none"> • Effect on Zero/Span: (Model 136) ±1.0% FSO/100 °F (Models 236/336) Standard: ±0.50% FSO/100 °F Improved: ±0.25% FSO/100 °F

**Standard configurations shown.
Please consult factory for other options.**

All specifications are for reference purposes only. In the interests of continuous product improvement, all specifications are subject to change without notice. Please contact GP:50 for assistance with your application.

© 2014 GP:50 NY Ltd. | 2770 Long Rd, Grand Island, NY 14072 USA

Tel: +1.716.773.9300 Fax: +1.716.773.5019 Email: sales@gp50.com Web: www.gp50.com

